

SPECIFICATIONS

ENVIRONMENTAL

Housing Cast Aluminum G-Al Si12
 Weight Model CS-INV-366 2,2 Kg
 Weight Model CS-INVR-366 2,5 Kg
 Enclosure Classification Explosion (Flame) Proof
 Ex-d IIB/IIC-T6 tD A21 IP66 T85°C
 Explosion Proof Certification CESI 03ATEX186
 Enclosure Protection IP66 Standard
 Enclosure Finish Sandblasted Outside & Inside (Standard)
 Thermoset polymer powder coated RAL6003 embossed Out&Ins. (Optional)
 Mounting Location: Outdoors, Unprotected
 External Bolts Stainless Steel
 Nameplates Stainless Steel
 Conduits 2 x 3/4" NPT
 Ambient Temperature Limits -40°C ÷ +85°C
 Explosion Proof certified Temperatures -20°C ÷ +40°C (Standard)
 -40°C ÷ +60°C (Optional)
 Humidity To 95% Relative Humidity @ +37,7°C
 Shock 40 g @ 11 ms. maximum

ELECTRICAL

Switch Configuration: See Table 1
 Contact Ratings: See Table 5

PERFORMANCE

Vibration Measurement Range (Peak) :
 Mounted Horizontal 0 ÷ 4,5 g from 0 to 300 Hz
 Mounted Vertical 0 ÷ 3,5 g from 0 to 300 Hz
 Set point Adjustment / Range 1 turn per g / from 0 to 4,5 g
 Accuracy ±5% of full range (0÷300 Hz)
 Ambient Temperature Effect ±10%/55,5°C maximum

RESET COIL

Duty Cycle:
 Reset Coil 24, 48, 120 VDC, 120 VAC 4 minutes ON max
 10 minutes OFF min
 Reset Coil 230/240 VAC 1 minute ON max
 10 minutes OFF min
 Standard Voltages and current See Table 2

ORDERING INFORMATION AND MODEL NUMBERS

Key Model Number Example

EURO 366 - A 2 - Z 2 - A - F X - F



Key Model Number

Designation	Description
EURO 366	Vibraswitch® Explosion-Proof IP66

Table 1 - Switch Contacts

Designation	Description
A	SPDT - Single pole, double throw load contacts
D	DPDT - 2 gang mounted SPDT load switches

Table 2 -Remote Reset

Designation	Description
0	No reset coil.
2	24 VDC / 0,5 Amp reset coil voltage
4	48 VDC / 0,2 Amp reset coil voltage
7	120 VDC / 0,14 Amp reset coil voltage
8	120 VAC / 0,3 Amp 50/60 Hz reset coil voltage
9	230/240 VAC / 0,3 Amp 50/60 Hz reset coil voltage

Table 3 – Enclosure Type

Designation	Description	Approval No.
Y	CS-INV366 T.cable 90°C T.amb. -20/+40°C	CESI03ATEX186
Z	CS-INVR366 T.cable 90°C T.amb. -20/ +40°C	CESI03ATEX186
J	CS_INV366 T.cable 105°C T.amb. -40/+60°C	CESI03ATEX186
W (H for USA)	CS-INVR366 T.cable 105°C T.amb. -40/+60°C	CESI03ATEX186
N	CS-INV Suitable for Intrinsic Safety Applications	NA
M	CS-INVR Suitable for Intrinsic Safety Applicat.	NA
O	CS-INV366 for not classified area	NA
R	CS_INVR366 for not classified area	NA

Table 4 – Enclosure Finish

Designation	Description
1	Sandblasted
2	Thermoset polymer powder coated RAL6003 embossed

Table 5 – Switch Rating

Designation	Resistive Load Ratings	Protection
A (SPDT only)	7,0 Amp max. 460 VAC max. 0,5 Amp at 120 VDC 1,0 Amp at 48 VDC 2,0 Amp at 24 VDC 5,0 Amp at 12 VDC	IP50
E	5,0 Amp at 125&250 VAC 3,0 Amp at 30VDC 0,4 Amp at 120VDC	IP50
G	2,0 Amp at 125 & 250 VAC 2,0 Amp at 30 VDC 0,4 Amp at 125 VDC	IP67 (Sealed)
H^o	0,1 Amp max. at 125&250 VAC 0,1 Amp max. at 30 VDC 5,0 mA min. 6 VDC max. 2,0 mA min. 12 VDC max. 1,0 mA min. 24 VDC max.	IP67 (Sealed)

^o Gold plated contacts, suitable for Intrinsic Safety Applications

Table 6 and 7 – Enclosure Inlet and Outlet

Designation	Description
A	¾" - ½" NPT Adapter
B	¾" - ½" UNI Adapter
C	¾" - M20 ISO Adapter
D	¾" - 1" NPT Adapter
E	¾" - 1" UNI Adapter
F	¾" NPT Plug
G	EExd-IIC Cable Gland Inner Seal Ø 6÷9
H	EExd-IIC Cable Gland Inner Seal Ø 9÷12
L	EExd-IIC Cable Gland Inner Seal Ø 11÷14
P	¾" - M25x1,5 Adapter
X	Standard ¾" NPT

Table 8 – Space Heater

(to prevent condensation in the enclosure where climate conditions require)

Designation	Description
F	24 VDC 2 Watt
G	48 VDC 2 Watt
H	120 VAC 2 Watt
L	120 VDC 2 Watt
M	230/240 VAC 2 Watt
X	No Space Heater

CUSTOMER ELECTRICAL CONNECTIONS

EURO 366-D (DPDT Switch)

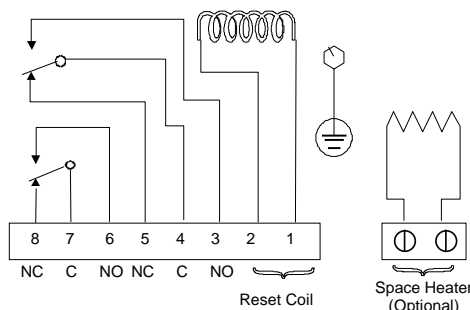


Figure No. 2

EURO 366-A (SPDT Switch)

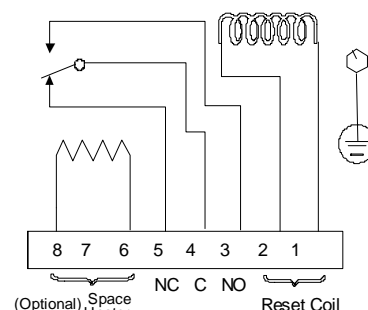


Figure No. 3

OUTLINE DIMENSIONS

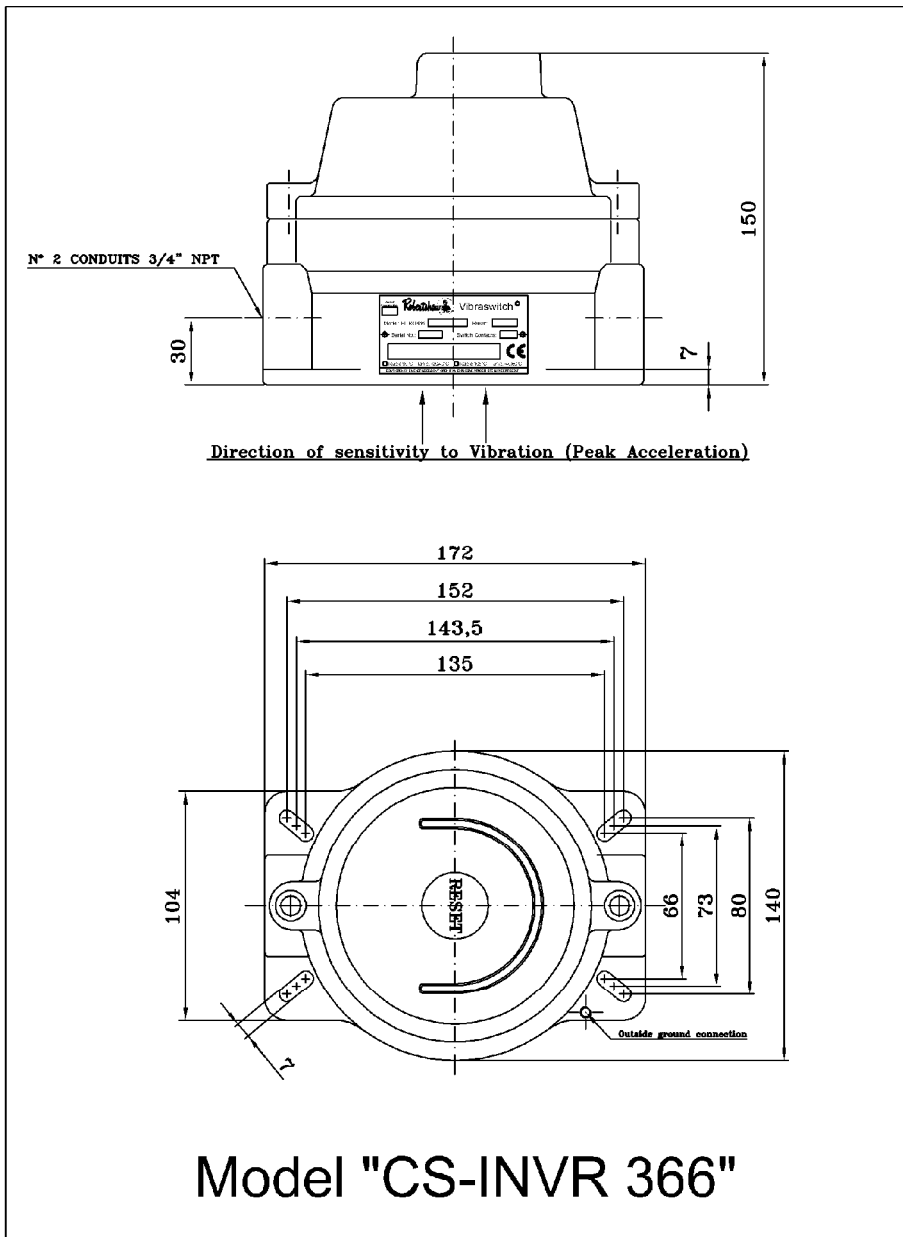


Figure No. 4

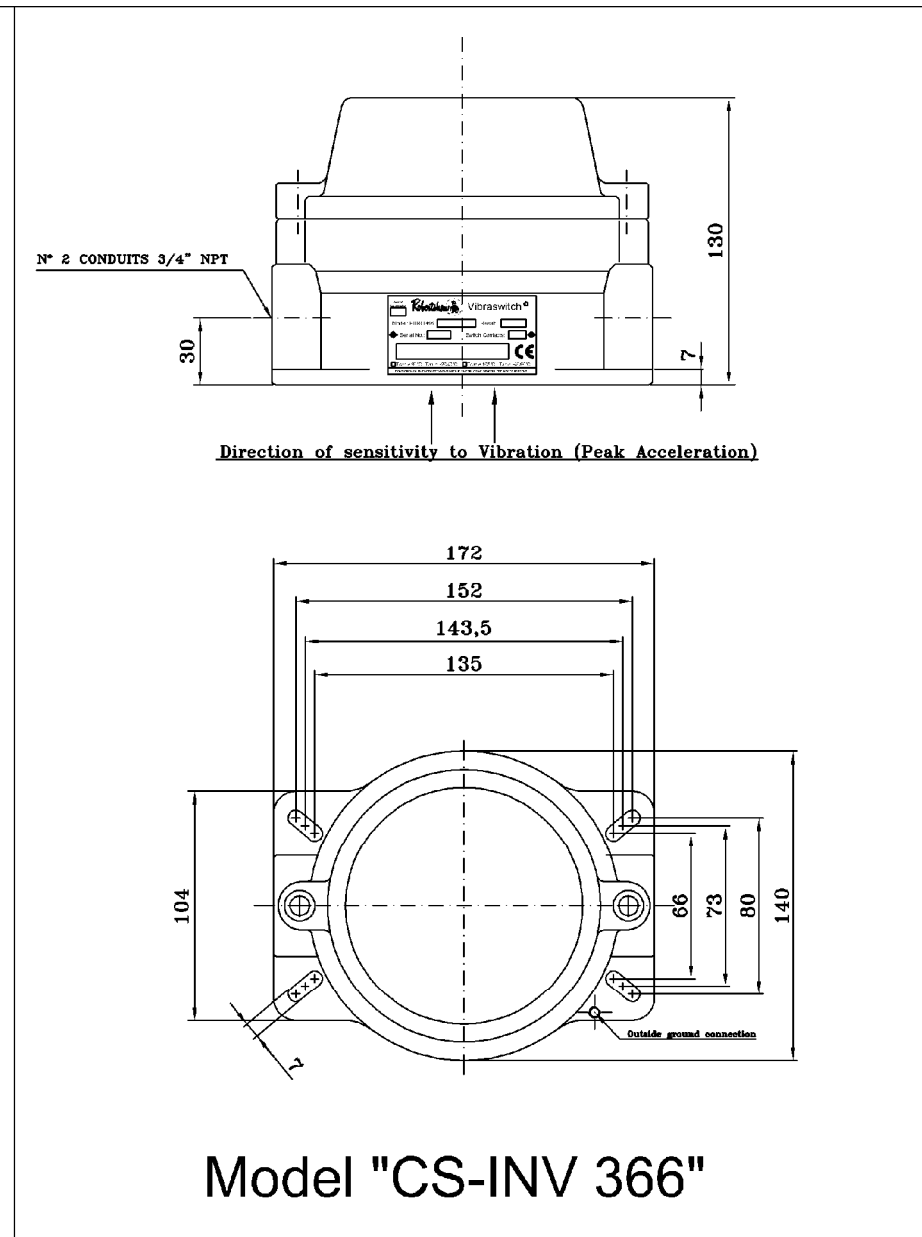
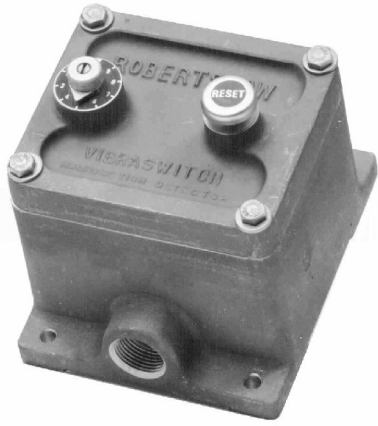


Figure No. 5

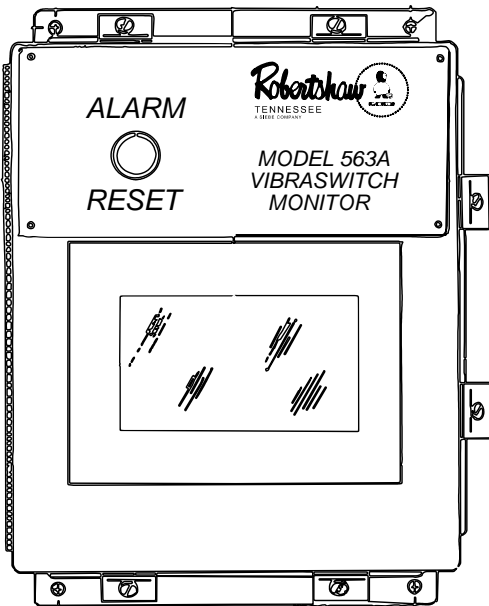
ALSO AVAILABLE



Model 365 Vibration Switch - Range 0-4,5g - Explosion Proof Class I Div. 1, Groups C & D, and Class II, Div. 1, Groups E, F & G,



Model 366 Vibration Switch – Range from 0 to 4,5 g - Enclosure NEMA 4 & 12 Equivalent to IP65



Model 563A Vibraswitch Monitors to eliminate false shut downs due to transient shocks or vibrations.(See PS-563A)



Model 566 Velocity-Acceleration Vibration Monitor. Two adjustable trip points. Analog 4-20mA output. Monitor delay on alarm #1